

➤ **Vendor: Cisco**

➤ **Exam Code: 400-351**

➤ **Exam Name: CCIE Wireless Written Exam, v3.1**

➤ **Question 61 – Question 90**

[Visit PassLeader and Download Full Version 400-351 Exam Dumps](#)

QUESTION 61

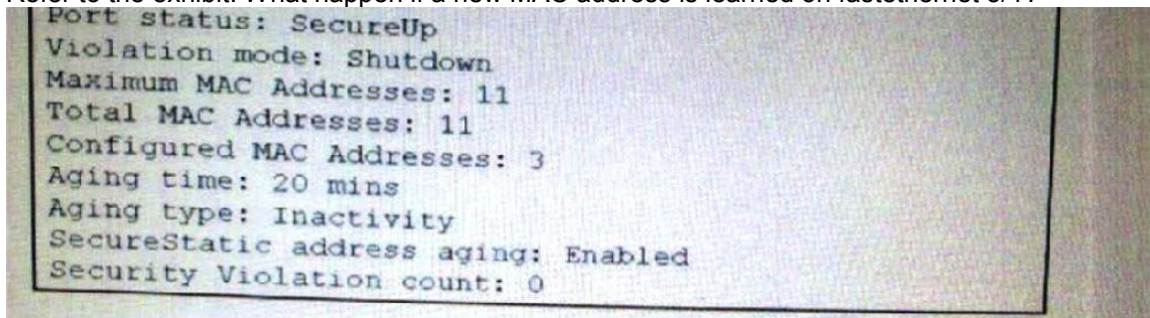
Your customer is thinking of migrating the existing IEEE 802.11b/g network to an IEEE 802.11ac network, which two statements are true? (Choose two.)

- A. Backward compatibility need to be considered for the existing legacy IEEE 802.11b/g mobile devices.
- B. Channel option are limited on the radio band UNII 3 due to DFS.
- C. Ensure that the WLANs have WMM enabled and support open or WPA2/AES encryption in order to reach IEEE 802.11ac speeds even on IEEE 802.11ac clients.
- D. Fewer APs have to be proposed because the IEEE 802.11ac network provides a faster speed and larger coverage area compared with the IEEE 802.11b/g network.

Answer: AC

QUESTION 62

Refer to the exhibit. What happens if a new MAC address is learned on fastethernet 5/1?



- A. The port goes into error-disabled state
- B. The port switch state to administratively down
- C. The port forward traffic from the newly learned MAC
- D. The port remain up only traffic from the newly learned MAC is blocked

Answer: C

QUESTION 63

You are in process of installing Cisco prime high availability servers and you have a firewall between the primary and secondary server. Which two incoming and outgoing TCP/UDP ports must be enabled on the firewall for Cisco prime servers to exchange health monitoring heartbeat message and to allow Oracle to synchronize data? (Choose two.)

- A. 1521
- B. 8080
- C. 8082
- D. 1522

Answer: CD

QUESTION 64

Which three statements about 802.11ac are true? (Choose three.)

- A. MU-MIMO is supported in wave 1
- B. MU-MIMO allows one AP to transmit unique data to multiple stations simultaneously
- C. When using MU-MIMO up to 8 devices can transmit data at the same time
- D. 802.11 a/b/g/n device are able to connect to 802.11ac radios
- E. It is possible to reach 160 MHz by combining two discontinuous 80 MHz channel block
- F. 802.11 ac is supported in the 2.4- and 5-GHz radio band

Answer: BCE

QUESTION 65

Your customer plans to deploy a location-aware WLAN in a campus. Which two statements about the planning consideration for location-aware WLAN are true? (Choose two.)

- A. Cisco PI allow as APs that are defined equipped with third-party antennas participate in client tag or rogue on demand location tracking.
- B. Perimeter APs should complement APs located within floor interior areas and APs should be placed each of the four corners of the floor and at any other corner that are encountered along the floor perimeters.
- C. Onsite calibration is required otherwise location tracking for clients cannot be performed.
- D. At least one AP are resident in each quadrant that surrounds the point-in-question.
- E. At least one AP that resides in each of at least three of the surrounding quadrant is located within 70 feet (21.3 meters) of the point-in-question.
- F. active RFID tags transmit directly to the APs and require 802.11 authentication and require 802.11 authentication and association to pass data traffic to the real-time locating.

Answer: CE

QUESTION 66

Which three types of ACLs are supported by the Cisco 5760 WLC?

- A. VLAN ACLS (VLAN MAPS)
- B. Switch Port ACLs
- C. Router ACLs
- D. QoS ACLs
- E. Router Port ACLs

F. Port ACLs

Answer: ACF

QUESTION 67

Which ArieOS release is the first to support New Mobility on the 2504 WLC?

- A. 7.4.x
- B. 7.6.x
- C. 8.0.x
- D. 8.1.x

Answer: C

QUESTION 68

Refer to the exhibit. Which is a configure snippet of a cisco 5760 controller running code IOS XE 3.6.3 which statement about wlan 11 is true?

```
radius server HALO
  address ipv4 192.168.154.119 auth-port 1812 acct-port 1813
  key Cisco123
aaa group server radius rad_server
  server name HALO
!
aaa new-model
aaa authentication login my_server group rad_server
aaa authentication login local_webauth local
!
parameter-map type webauth global
  virtual-ip ipv4 192.0.2.1
parameter-map type webauth test_web
  type webauth
  banner c test webauth c
parameter-map type webauth custom
  type webauth
  redirect on-success http://www.cisco.com
!
wlan guest 11 guest
  client vlan 263
  no security wpa
  no security wpa akm dot1x
  no security wpa wpa2
  no security wpa wpa2 ciphers aes
  security web-auth
  security web-auth authentication-list my_server
  security web-auth parameter-map test_web
  no shutdown
!
wlan WebAuth 111 WebAuth
  client vlan 264
  no security wpa
  no security wpa akm dot1x
  no security wpa wpa2
  no security wpa wpa2 ciphers aes
  security web-auth
  security web-auth authentication-list local_webauth
  security web-auth parameter-map custom
  no shutdown
```

- A. This configuration is for custom WebAuth with an external RADIUS server
- B. This configuration is for custom WebAuth with local authentication
- C. This configuration is for WebAuth with an external RADIUS server

- D. This configuration is for WebAuth with local authentication
- E. This configuration is for external WebAuth with an external RADIUS server

Answer: C

QUESTION 69

Which mechanism incorporates the channel capacity into the CAC determination And gives a much more accurate assessment of the current Call-carrying capacity of the AP?

- A. Expedited bandwidth
- B. Admission control
- C. Reserved roaming bandwidth(%)
- D. Load-based AC
- E. Max RF bandwidth(%)
- F. Metrics collection

Answer: D

QUESTION 70

Which option is a layer 1 client exclusion policy solution?

- A. Excessive 802.1x authentication failures
- B. VPN passthrough
- C. Web policy (web passthrough)
- D. Static WEP)
- E. 802.1x
- F. WPA2 (AES-CCMP)

Answer: A

QUESTION 71

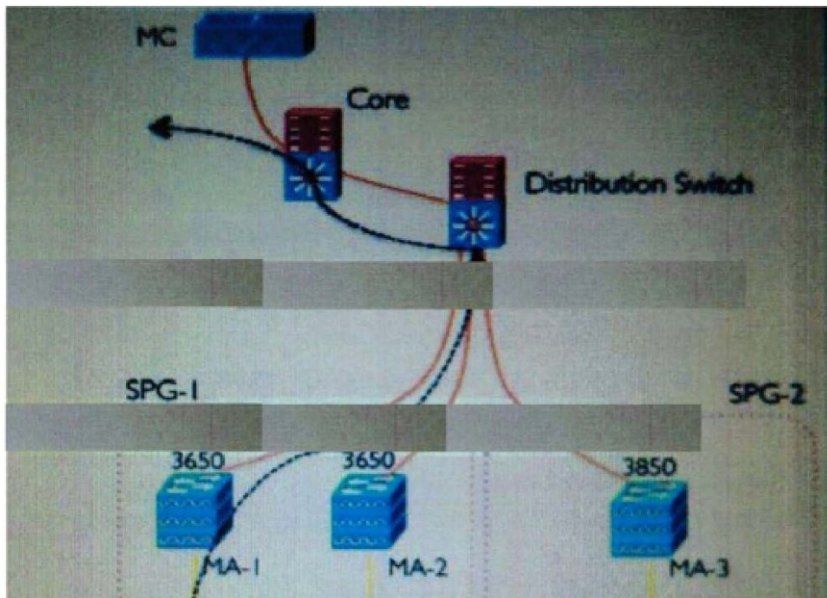
Which two options are new feature that are supported by IGMPv3 Compared to IGMPv2? (Choose two.)

- A. It adds support for IGMP Leave Message
- B. Routers can now send a group-specific query
- C. It extends IGMP, which allows for an explicit maximum response time field
- D. It supports the link local address 224.0.0.22, which is the destination IP address for membership reports
- E. It adds support for source filtering

Answer: DE

QUESTION 72

Refer the exhibit. A Wireless user has roamed from an AP connected to MA-1 to an AP connected to MA-2. The traffic flow for the user before the roam is shown. Which option shows the traffic flow for the user after roam, considering default sticky anchoring is disabled on the WLAN, and WLAN to VLAN mapping and roaming domain IDs are identical on both sides?



- A. MA-3 > Distribution Switch > MA-1 > Distribution Switch > Core
- B. MA-3 > Distribution Switch > MA-2 > MA-1 > Distribution Switch > Core
- C. MA-3 > Distribution Switch > MA-2 > MA-1 > Distribution Switch > Core
- D. MA-3 > Distribution Switch > Core

Answer: D

QUESTION 73

There are 5 switches in the network use VTPv3, SW1 and SW2 configured as Server mode. SW1 is the primary server with revision 50. When add a new SW6 with Revision 200, what will happen?

- A. Switch3 updates its own database with the VLAN information received from SW2
- B. VTPv3 configure own database with the VLAN information received from SW1
- C. Switch6 updates its own database with the VLAN information received from SW1
- D. No switch will work

Answer: C

QUESTION 74

Refer to the exhibit. Which feature (and associated show output) is seen here?


```
Client Interface Mac: 00:01:02:03:04:05
Measurement Duration: 90 seconds
Timestamp 1st Jan 2006, 06:35:80

UpLink Stats
=====
Average Delay (5sec intervals).....35
Delay less than 10 ms.....20
Delay bet 10 - 20 ms.....20
Delay bet 20 - 40 ms.....20
Delay greater than 40 ms.....20
Total packet Count.....80
Total packet lost count (5sec).....10
Maximum Lost Packet count(5sec).....5
Average Lost Packet count(5secs).....2

DownLink Stats
=====
Average Delay (5sec intervals).....35
Delay less than 10 ms.....20
Delay bet 10 - 20 ms.....20
Delay bet 20 - 40 ms.....20
Delay greater than 40 ms.....20
Total packet Count.....80
Total packet lost count (5sec).....10
Maximum Lost Packet count(5sec).....5
```

- A. Controller>show client tsm 802.11a 00:01:02:03:04:05 all
- B. Controller>show client wmm 802.11a 00:01:02:03:04:05 all
- C. Controller>show ap stats 802.11a 00:01:02:03:04:05 all
- D. Controller>show client detail 00:01:02:03:04:05 all

Answer: A

QUESTION 75

Which option is a feature of a Cisco Autonomous AP that prevents over-the-air direct P2P communication, which forces all traffic to hit the first-hop router where security policy is enforced?

- A. Public Secure Packet Forwarding
- B. Cisco Wireless LAN Controller and Access Point Platforms
- C. FlexConnect AP upgrade feature
- D. Access Point Radios

Answer: B

QUESTION 76

Which will trigger client exclusion policy?

- A. Excessive 802.11 Association Failures -- Clients are excluded on the sixth 802.11 association attempt, after five consecutive failures.
- B. Excessive 802.1x Authentication Failures -- Clients are excluded on the fourth 802.1x authentication attempt, after three consecutive failures.
- C. IP Theft or IP Reuse -- Clients are excluded if the IP address is already assigned to another device.

D. Pending

Answer: ABC

QUESTION 77

What are the three components that are used within the authentication process on an 802.1x/EAP-enabled WLAN? (Choose three.)

- A. wireless web server
- B. supplicant
- C. authenticator
- D. Cisco WCS
- E. authentication server
- F. key management server

Answer: DEF

QUESTION 78

You are a network administrator at ACME corporation where you have a pair of Cisco 5760 Wireless LAN Controllers deployed for HA AP SSO mode. A failover event occurs and the secondary Cisco 5760 controller moves into the active role. Which three statements about the failover event are true? (Choose three.)

- A. Rogue APs and clients are not synced to the standby and are releamed upon switchover.
- B. With SSO, wIPS information is already synced with the stanby unit and this information need not be releamed upon switchover.
- C. Upon guest anchor controller switchover, mobility tunnels stay active, APs remain connected, clients rejoin at MA or MC, and clients are anchored on the new active controller.
- D. Switchover during AP preimage download causes the APs to start image download all over again from the new active controller.
- E. The new active controller does not need to releam the shun list from IPS and other MCs, which eliminates the need to redistribute it to the MCs.
- F. Netflow records are already exported upon switchover and collection starts resuming in the new active controller.

Answer: ACD

QUESTION 79

Which feature insersection of a Cisco 5760 Wireless LAN Controller with HA AP SSO is not true?

- A. Upon guest anchor controller switchover, mobility tunnels stay active, APs remain connected, clients rejoin at MA or MC, and clients are anchored on the new active controller.
- B. Roamed clients that have their data path going through the mobility tunnel endpoint "become Local" in case of Layer 2 with sticky anchoring an Layer3 roam.
Layer 2 roamed clients are not affected except when roaming occurs between Cisco Unified Wireless Network and CA controllers.
- C. wIPS information is synced to the standby unit.
The standby unit does not have to relarn wIPS information upon switchover.
- D. Switchover during AP preimage download caused the APs to start image download all over again from the new active controller.

Answer: C

QUESTION 80

AireOS, which version support a feature?

- A. AireOS 7.0
- B. AireOS 7.4
- C. AireOS 8.0
- D. AireOS 8.1

Answer: A

QUESTION 81

Drag and Drop Question

In multiple-controller deployments, if one controller fails, the access points perform these tasks. Drag and drop the tasks on the left into the correct order on the right.

The lightweight AP attempts to contact stored mobility group members by their IP address.	Task 1	
The lightweight AP attempts to associate with the least-loaded controller to respond to its discovery message.	Task 2	
If the lightweight AP has primary, secondary, and tertiary controller assigned, it attempts to associate with that WLC.	Task 3	
The lightweight AP attempts to associate with a master controller.	Task 4	

Answer:

	Task	If the lightweight AP has primary, secondary, and tertiary controller assigned, it attempts to associate with that WLC.
	Task	The lightweight AP attempts to associate with a master controller.
	Task	The lightweight AP attempts to contact stored mobility group members by their IP address.
	Task	The lightweight AP attempts to associate with the least-loaded controller to respond to its discovery message.

Explanation:

In multiple-controller deployments, if one controller fails, the access points perform the following tasks: If the lightweight access point has a primary, secondary, and tertiary controller assigned, it attempts to associate with that controller. If the access point has no primary, secondary, or tertiary controllers assigned or if its primary, secondary, or tertiary controllers are unavailable, it attempts to associate with a master controller. If the access point finds no master controller, it attempts to contact stored mobility group members by the IP address. If the mobility group members are available, and if the lightweight access point has no primary, secondary, and tertiary controllers assigned and there is no master controller active, it attempts to associate with the least-loaded controller to respond to its discovery messages.

QUESTION 82

Which statement about Wired Guest Access is true?

- A. The wired guest traffic terminates only on the anchor Cisco WLC.
- B. Wired Guest Access is not supported in the Cisco 5760 WLC.

- C. The Cisco 5760 WLC supports Wired Guest Access only in conjunction with the converged access switches.
- D. The guest traffic can terminate on the foreign WLC, but egress interface must be defined on the guest SSID.

Answer: A

QUESTION 83

You are working on a deployment that uses two Cisco APs as wireless bridges. One of the bridges is configured as a root bridge and the second bridge is configured as a nonroot bridge. Client A associates to the root bridge and client B associates to the nonroot bridge. Which two statements about this scenario are true? (Choose two.)

- A. The default setting of a bridge is nonroot bridge.
- B. For two bridges to communicate with each other, one of the bridges must be in root mode and the other bridge must be in nonroot mode.
- C. Only one device can connect to the Ethernet port of a nonroot bridge.
- D. Two bridges that are in root mode can talk to each other.
- E. In point-to-multipoint bridging, WGB is not recommended with the root bridge. WGB must be associated to the root AP in point-to-multipoint bridging setup.

Answer: BE

QUESTION 84

Which statement about deploying web authentication within a Cisco Unified (AireOS controllers) wireless solution is true?

- A. When configuring Layer3 security, the controller forwards DNS traffic to and from wireless clients prior to authentication in absence of an explicit deny rule for DNS traffic in the pre-auth ACL.
- B. When doing local web authentication, the user must obtain an IP address and must be able to resolve the WLC hostname.
- C. When configuring a WLAN for local web authentication you must configure a pre-auth ACL to allow DNS traffic.
- D. When configuring a WLAN for local web authentication you must use the WLC login page.

Answer: D

QUESTION 85

Which mechanism incorporates the channel capacity into the CAC determination and gives a much more accurate assessment of the current call-carrying capacity of the AP?

- A. reserved roaming bandwidth(%)
- B. expedited bandwidth
- C. metrics collection
- D. admission control
- E. load-based AC
- F. max RF bandwidth(%)

Answer: E

QUESTION 86

Which three steps are required during the initial configuration of a Cisco Converged Access controller so that the access points can join? (Choose three.)

- A. The Cisco 5760 controller that acts as a mobility controller can support up to 10000APs.

- B. Ensure that an active license is enabled with the proper AP count.
- C. Ensure that the wireless management interface is correctly configured.
- D. In a Converged Access deployment, the APs must be on the same VLAN as the wireless management interface.
- E. To enable wireless services, the Cisco 3850 switch must run an ipservices or ipbase license.
- F. Network connectivity is not necessary because all the APs connect directly to the Converged Access controller.

Answer: BCE

QUESTION 87

Which AireOS release is the first to support new Mobility on the Cisco 2504 WLC?

- A. 8.1x
- B. 7.6x
- C. 7.4x
- D. 8.0x

Answer: D

QUESTION 88

Refer to the exhibit. You enabled NAT to make sure that your WLC is publicly reachable. If other NAT parameters are left to default1, which statement is true?

- A. The AP WLC discovery fails for APs in local mode using 209.165.200.44
- B. The AP WLC discovery succeeds for OEAPs joining the WLC using 192.168.3.44
- C. The AP WLC discovery succeeds for OEAPs joining the WLC using 192.168.3.44 or 209.165.200.44
- D. The AP WLC discovery fails for APs in local mode using 192.168.3.44

Answer: C

QUESTION 89

Which two statements about local profiling on a Cisco WLC running AireOS are true? (Choose two.)

- A. Profiling is performed on IPV4 and IPV6 client.
- B. When local profiling is enabled, RADIUS profiling is allowed.
- C. Wired clients behind the workgroup bridge are profiled and a policy action is taken.
- D. Profiling is performed only on IPV4 clients.
- E. Wired clients behind the workgroup bridge are not profiled and no policy action is taken.

Answer: DE

QUESTION 90

Which two impacts does TSPEC admission control have as it relates to 802.11e clients? (Choose two.)

- A. Enforce airtime entitlement for wireless voice applications.
- B. Ensure that call quality does not degrade for existing VoWLAN calls.
- C. Deny client access to the WLAN that do not meet the standard.
- D. Allow access only for VoWLAN traffic when interference is detected.

Answer: AB

[Visit PassLeader and Download Full Version 400-351 Exam Dumps](#)

[400-351 Exam Dumps](#) [400-351 Exam Questions](#) [400-351 PDF Dumps](#) [400-351 VCE Dumps](#)

<http://www.passleader.com/400-351.html>